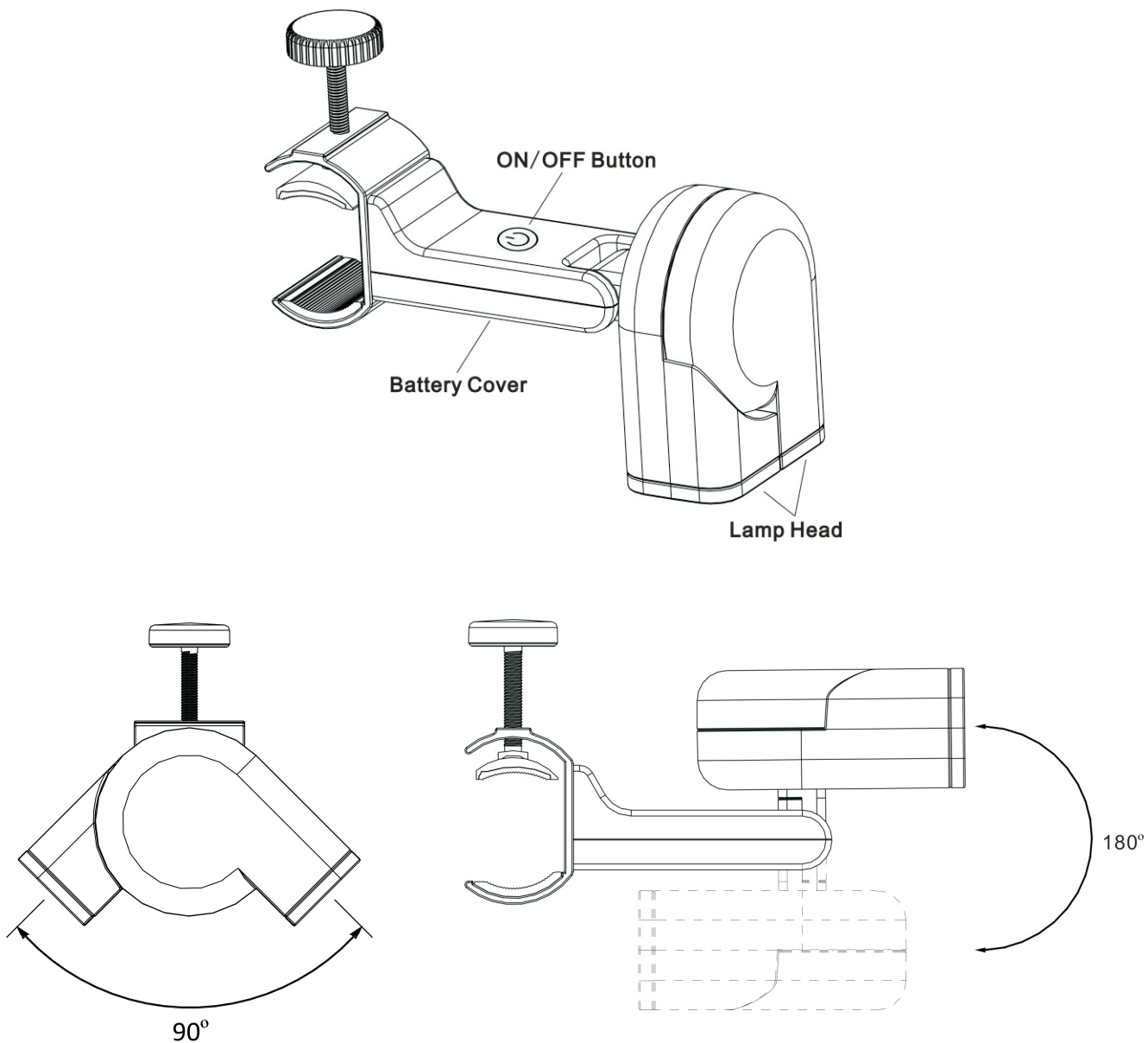


GL-616 Grill Light Instructions

Images



Feature

- The Grill light features 10 high-density LEDs
- The Grill Light use 3 AAA batteries.
- Touch-sensitive on/off button.
- The lamp head adjustable 90 or 180 degrees (see above).

Installing Batteries

- Use a screwdriver to remove the screw on bottom, Remove the cover and insert the batteries and align the battery with + and – mark.
- Close the battery cover

Warning:

- Do not mix old and new batteries

- Do not mix alkaline, standard (Carbon-Zinc) or rechargeable (Nickel-Cadmium) batteries
- Remove batteries when storing product for extended periods of time
- Avoid contact with water as moisture can damage Grill Light

Mounting the grill light

1. Allow the grill to cool completely prior to mounting the grill light
2. Raise the grill lid to the fully open position.
3. Position the light along the handle at a location where it will not interfere with normal operation. And allows you to close the lid without hitting the front of the grill.
4. Tighten the thumb screw finger tight. Do not over tighten. Close the lid slowly to make sure it will not interfere.
5. Turn On or Turn Off the unit by pressing the on/off button on the top of the light.

Use and care

1. Store Grill Light indoors when not in use.
2. Grill Light can be cleaned by gently wiping with a damp towel. DONOT IMMERSSE IN WATER.
3. Remove batteries if Grill Light is to be unused for two months or more, since batteries could leak and damage the grill Light.
4. Do not incinerate, compact, or disassemble batteries.
5. Recycle old batteries whenever possible. If recycling is unavailable in your area, dispose of old batteries in accordance with local regulations.

Limited Ninety Day warranty

This Grill Light is warranted by Maverick Industries, Inc., to be free from defects in materials and workmanship for a period of ninety (90) days from date of purchase. In the event of any claim under this limited warranty, Maverick Industries, Inc., will repair or replace at its sole option any unit or part(s) thereof, provided such units or part(s) are sent freight prepaid to the Customer Service Department, Maverick Industries, Inc., Grill Light, 94 Mayfield Avenue, Edison, NJ 08837.

help@maverickhousewares.com

<http://www.maverickthermometers.com>